

# Liberty Plus

## Basin single-lever mixer with pop-up waste 3.1160.1.004.111.1 without pop-up waste 3.1160.1.004.110.1



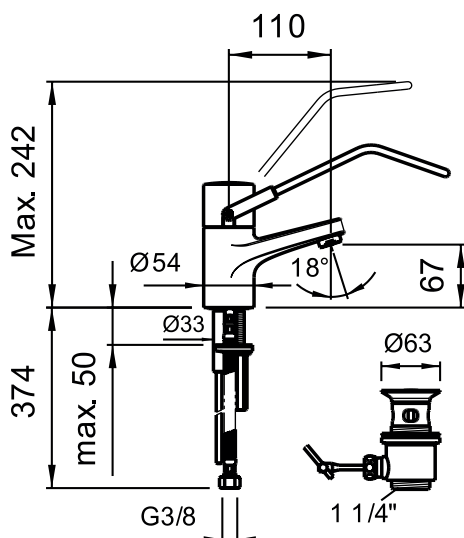
### TECHNICAL DATA / WITH POP-UP WASTE

Order no.	3.1160.1.004.111.1
Connection	3/8" flexible connection hoses
Spout length	110 mm
Flow rate	5.7 l/min (3 bar)
Acoustic class	I/-
Specification	basin single-lever mixer cartridge with fixed limitation laminar flow fixed spout
Accessories incl.	pop-up waste 1 1/4"
Surface finish	chrome

### TECHNICAL DATA / WITHOUT POP-UP WASTE

Order no.	3.1160.1.004.110.1
Connection	3/8" flexible connection hoses
Spout length	110 mm
Flow rate	5.7 l/min (3 bar)
Acoustic class	I/-
Specification	basin single-lever mixer cartridge with fixed limitation laminar flow fixed spout
Surface finish	chrome

### TECHNICAL DRAWINGS



### TECHNICAL DRAWINGS

